



Vivotek **IP Surveillance System**

Wireless **Network Camera IP3136**

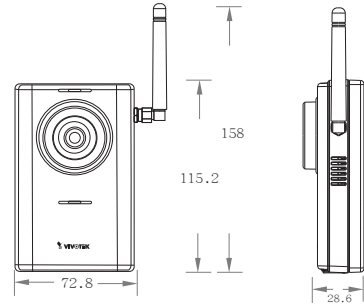
The Vivotek IP3136 is a compact-size, easy-to-use and affordable wireless network camera ideal for home/office surveillance. With a built-in web server, IP3136 provides an easy user interface for remote access to receive the optimal synchronized video and audio from anywhere anytime over the Internet with the popular Internet Explorer browser, exactly as easy as surfing any regular web sites. More than just a high-performance network camera, IP3136 also possesses many advanced features to provide the adequate personal or SOHO applications/solutions, such as web attraction, remote surveillance, home/business security, video conference, etc....

Features

- **MPEG4 compression engine**
- **Optimal synchronization of audio & video**
- **802.11g Wireless Connection**
- **64/128 bit WEP Encryption**
- **UPnP & dynamic IP support**
- **Intelligent motion detection**
- **4X digital zoom**
- **Customizable internet homepage**
- **Adjustable network bandwidth**
- **Free-bundled 16-CH audio/video recording software**

Technical Specifications

IP3136



Model

- IP3136 CMOS

System

- CPU: Trimedia PNX1300
- RAM: 16MB SDRAM
- ROM: 2MB FLASH ROM

Networking

- Protocol
TCP/IP, HTTP, SMTP, FTP, DDNS, UPnP, Telnet, NTP, DNS and DHCP
- Ethernet
10 baseT or 100 baseT Fast Ethernet auto negotiation
802.11g wireless LAN

Video

- Algorithm
MPEG4(short header mode) for streaming video
JPEG for still image
- Features
Adjustable image size, quality and bit-rate
Time stamp and text overlay
3 motion detection windows
- Resolution
Up to 30/25 frames at 160x120
Up to 30/25 frames at 320x240
Up to 10 frames at 640x480

Camera Specification

- 1/4" color CMOS sensor
640x480
1.5Lux / F2.0
AGC, AWB, AES
Electronic shutter: 1/60~1/15,000sec.

Lens

- Fixed focal with fine tuning, 4.0mm, F2.0

Audio

- 24kbps
- Supporting audio mute

Microphone

- Omni-directional
- Frequency
50 ~ 16000Hz
- S/N ratio
More than 60dB

LED Indicator

- Dual color system status indicator

Dimension

- Depth: 28.6mm
- Width: 72.8mm
- Height: 115.2mm + Antenna = 158mm

Weight

- NET. 185g

Power

- Input: 100-240VAC, 50/60Hz, 0.5A
- Output: 5VDC, 2A

Operating Environment

- Temperature: 0~50°C (32~122°F)
- Humidity: 95% RH

EMI & Safety

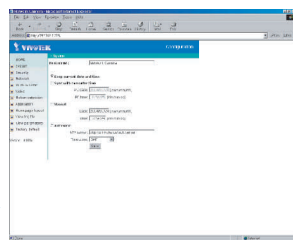
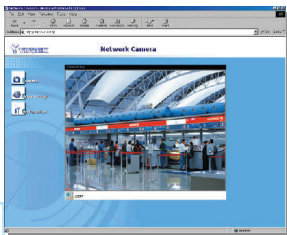
- CE, FCC

Viewing System Requirement

- Operating system: Microsoft Windows 98 SE, ME, 2000, XP
- Browser: Internet Explorer 5.X or above

Free Bundled ST3402 Software

- View and record live video from up to 16 cameras simultaneously
- Recording for the synchronized video & audio
- Manual, event-driven and schedule recording mode
- Zero waiting database searching and event preview
- Hard disk storage indicator and alarm
- Remote indicator and control for D/I and D/O
- High compression ratio and storage capacity
- * 16-channel commercial version is available



All specifications are subject to change without notice.
All other trademarks are owned by their respective companies.



VIVOTEK INC.

6F, No. 192, Lien-Cheng Rd.,
Chung-Ho, Taipei County, Taiwan

Tel: +886 2 82455282

E-mail: sales@vivotek.com

Web: www.vivotek.com

