

HD Camera HD700



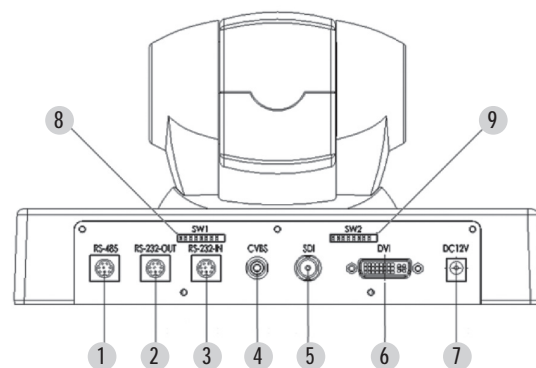
Capture Scenes in High-Definition

This High-Definition, Pan/Tilt/Zoom(PTZ) HD700 Type Colour Video Camera Brings the HD Scenes to your life. This unique camera is equipped with a DVI-I interface designed to maximize high video quality displays and is capable of displaying both digital and analog signals (output is selectable from Y/Pb/Pr, HDMI, DVI-D, VGA, RGBHV and HD SDI etc.).

Specifications:

Item	Specifications
Image sensor	1/2.7" HD CMOS sensor
Effective pixels	Two million
Signal system	HD:1080p30,1080p25,1080i60,1080i50,720p60,720p50,720p30,720p25 SD:NTSC,PAL
Shutter speed	1/2 - 1/10000s
Minimum illumination	12Lx(50IRE, F1.6)
Horizontal viewing angle	8°(tele) to 55.2°(wide) at HD signal output
Lens	18x Optical + 4x Digital
S/N Ratio	≥50dB
Focus system	Auto/Manual
White balance	Auto/Indoor/Outdoor/One push auto/ Manual
Backlight Compensation	On/Off
Pan/Tilt	Pan:±150°(0.1°-200°/s) Tilt:-30-90°(0.1°-150°/s)
Position preset	128 positions
Video Output	HD:HD-SDI,DVI-I(is selectable from Y/Pb/Pr, HDMI, DVI-D, VGA, RGBHV) SD:VBS
Control Protocol	PELCO-D,PELCO-P,VISCA
Control Interface	RS-485/422,RS-232
Address	0-255
Temperature	Operating temperature:0°C-+50°C, Storage temperature: -20°C-+70°C
Power requirements	12VDC
Power consumption	<10W
Dimensions	260(D)×160(W)×140(H) mm

INTERFACE



- | | |
|-----------------------|------------|
| 1 RS-485/RS-422 | 6 DVI-I |
| 2 RS-232 out | 7 Power in |
| 3 RS-232 in | 8 Switch 1 |
| 4 Composite video out | 9 Switch 2 |
| 5 HD SDI | |

SD Camera SD300



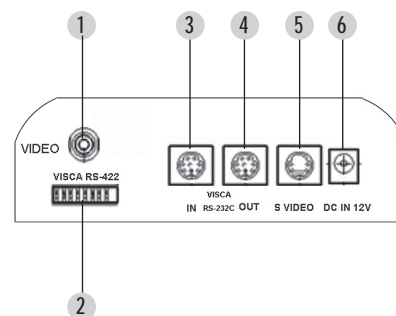
Capture Scenes with good quality

This sd, Pan/Tilt/Zoom(PTZ) colour video camera brings the good quality scenes to your life, captures good quality pictures and transfers real scenes for you.

Specifications:

Item	Specifications
Image sensor	1/4" SONY CCD sensor
Signal system	SD:NTSC,PAL
Shutter speed	1/50 - 1/10000s
Minimum illumination	1.0Lux
Horizontal resolution	540TVL
Lens	10x Optical + 10x Digital
S/N Ratio	≥50dB
Focus system	Auto
White balance	Auto/Manual
Backlight Compensation	On/Off
Pan/Tilt	Pan: 360°(0°-280°/s) Tilt: 240°(0°-100°/s)
Position preset	64 positions
Video Output	S VIDEO, VBS
Control Protocol	VISCA
Control Interface	RS-422,RS-232
Temperature and humidity	Operating temperature:0°C+60°C, Storage temperature: -20°C+70°C, 0~95% RH
Power requirements	12VDC, 1.2A
Dimensions	124(D)×120(W)×145(H) mm

INTERFACE



- | | |
|-----------------------|---------------|
| 1 Composite Video Out | 4 RS-232 Out |
| 2 RS-422 | 5 S Video Out |
| 3 RS-232 In | 6 Power Input |