

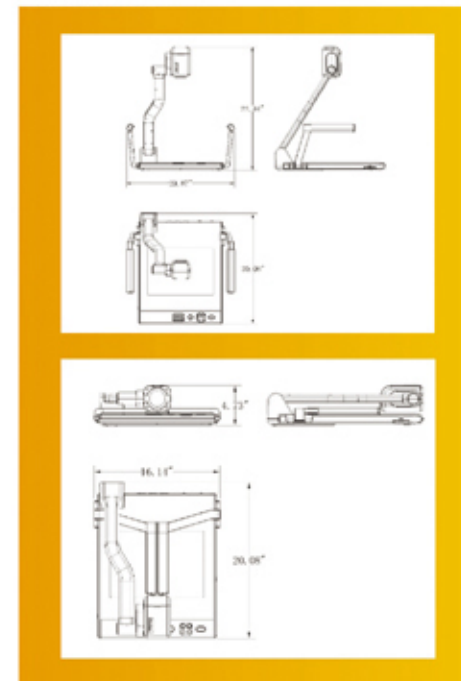
QOMO Digital Processing Visual Presenter QD700

QD700

Specifications

Model	QD700
Camera	
CCD	1/4" Progressive Scan CCD
Dynamic and Static Mode	Buttons switch between "digital" and "analog" image
Total Pixels	780K
Video Output Resolution	More than 450 TV lines
Powered Zoom	22x optical, 10x digital
Focus/Iris	Auto/Manual
White Balance	Auto
Image Save/Recall	7 images
Digital Imaging Functions	Negative, Freeze, Mirror, Split, title screen (freeze top 1/8 of screen)
Image Scroll	Vertical 330° by motorized camera head
Input/Output	
RGB Input	DB15FLC x 2
RGB Output Resolution	XGA, SVGA
RGB Output	DB15FLC x 2
Projector Control	Through RS232
Control with Computer	RS232
Audio Input	Mini Jack x 4 (Audio out follows selected video input)
MIC Input	1/4" Jack x 1
C-Video Input	RCA x 1 (can pass through to XGA output)
S-Video Input	4 Pin mini DIN x 1 (can pass through to XGA output)
C-Video Output	RCA x 1
S-Video Output	4 Pin mini DIN x 1
Audio Output	Mini Jack x 1 (audio out follows selected video input)
USB Port	USB 2.0
Image Capture	10 image/sec
Power Input	12V/4A adapter
Operating System	Windows98/2000/ME/XP Mac OS 10.3 or higher
Lighting	
Arm Light	2 x 1.5W LED arm light
Back Light	Built-in 8 1/2" x 11" LED Light Box
Control	
Color Adjustment	Yes
Video Scalar	Yes Built-in (converts S and C video input to RGB out)
Input Switching	Yes (switches all video and audio inputs to RGB out)
Brightness Adjustment	Yes
Focus Adjustment	Yes
Motorized Camera Head	Yes
Projector Power On/Off	Through RS232
Projector Input Selection	Through RS232
Others	
Operating Temperature	32°F - 104°F
Instruction Sheet	Yes (sticker in front above lightbox)
Remote Control	Complete set of controls with Built-in storage compartment
Power	AC 100-240V, 50/60Hz
Dimensions	Setup : 20.1" x 20.9" x 22.4" Folded: 20.1" x 16.1" x 4.7"
Net Weight	12 lbs

Dimensions



Presentation System



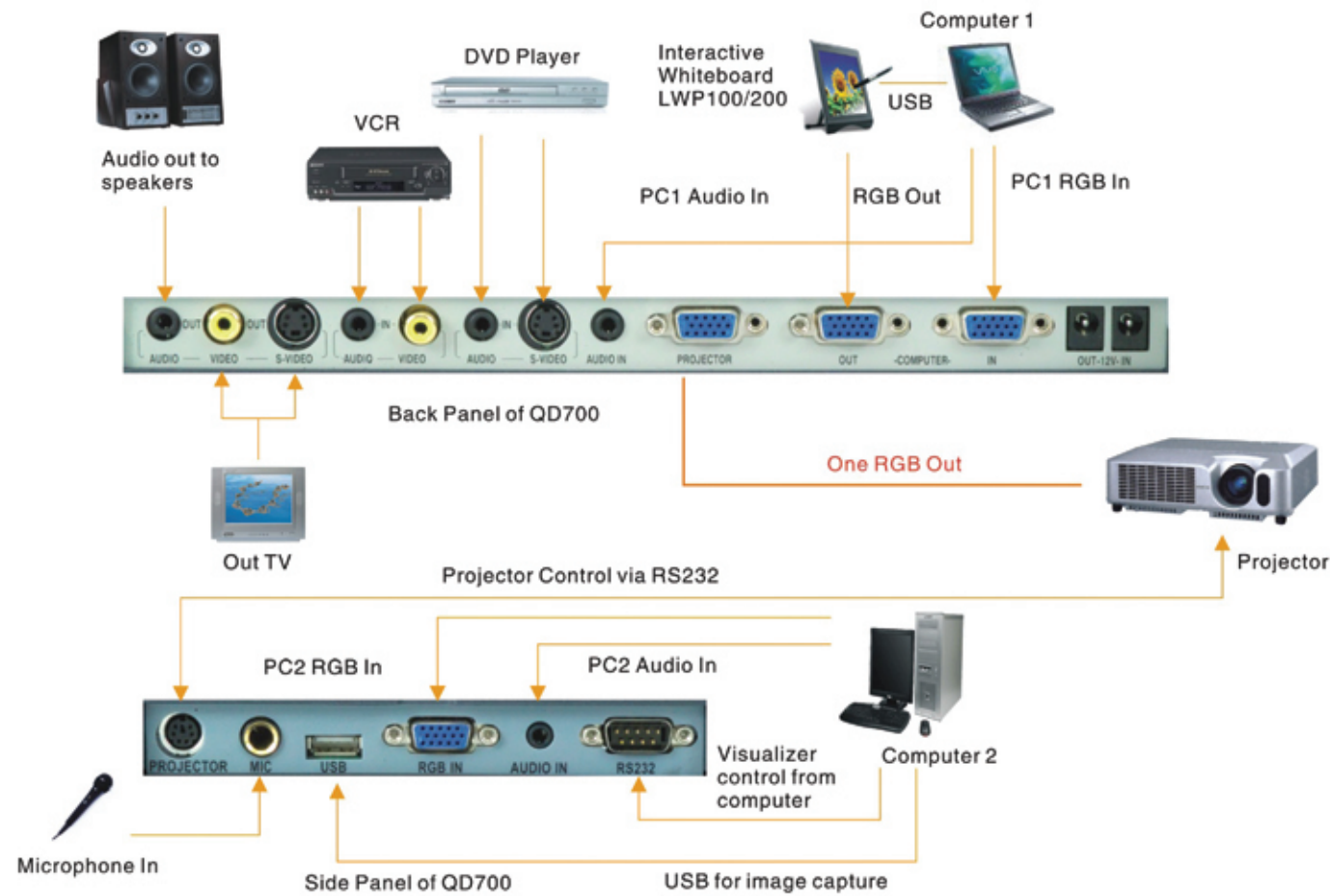
* Design and specifications are subject to change without notice.



Presentation Power at Your Fingertips

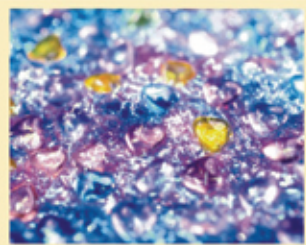
Versatile Connectivity and Active VGA Pass-Through

The QD700 offers two RGB inputs, one S-Video, one C-Video input along with 2 RGB outputs, one S-Video and, one C-Video output allowing the QD700 to function as a signal switching hub. Signals from the camera, the resident computer and DVD can all go out from the single RGB output of the QD600/700 to the projector. The end user's projector only needs to have one RGB input when using the QD700.



High Quality Image

1/4" Professional CCD and built-in digital processing card provide a high resolution of 780K total pixel with support of SVGA and XGA output.



220x high speed, auto focus zoom (22x optical and 10x digital) allows you to focus on the intricate details of any object.



Original Image

- 22x Optical Zoom
- 10x Digital Zoom
- Auto Focus & Iris



Sharp, Bright and Detailed Images

Simple & User-Friendly Operation

LED Lights

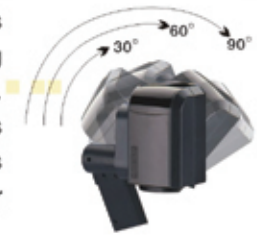
Durable and environmentally friendly LED arm lights and backlight deliver new visual effects and extra long usage life which can last up to 10 years.

Adjustable LED Lamps for Optimal Brightness



Motorized Camera Head

The unique motorized camera head allows users to scroll the image up and down by simply pressing buttons on the front panel or on the remote control. The smooth movement of the camera head assures clarity and ease of operation. This function is especially useful in displaying legal documents for a continuous and comfortable viewing experience.



Built-in Projector Control

With a built-in projector control system, the QD700 can turn the projector power on/off and switch the projector's input sources.



Compact Design

The QD700 has an ultra thin viewing base. The 12 pound body weight makes it convenient to carry. An optional carrying case is ideal for business travelers.



Computer Control

The QD700 can be remotely controlled by computer via a RS232 serial port.



Remote Control

The QD700 offers a full featured remote control. It contains every function on the front panel and gives you the ability to turn the projector on and off so you can consolidate remote controls. The large IR reception area makes it easy to operate from any angle.



Advanced Digital Features and Controllability

Title Function

The title function allows users the ability to freeze the top 1/8 of the screen providing an organized presentation.



Split Screen

Users can freeze images comparing live images and captured frozen images side by side for better illustration in the split screen mode.



Enhanced Visual Effect for "Motion" and "Still" Image

The QD700 features a Dynamic Mode/Static Mode function. The Dynamic mode is designed to overcome weaknesses of a digital visual presenter which is a strobe effect on the screen when showing objects in motion. Using the Dynamic mode, the QD700 shows smooth and accurate motion in real time. The static mode delivers greatly enhanced digital still images. The 'Text' button offers 'one-touch' text enhancement sharpening the edges of the text for improved clarity.



Built-in Light Box

The built in light box allows the display of X-rays, transparencies, and slides. Using the neg/pos button, you can display the positive print of your photographic negative.



PC and Mac USB 2.0 Image Capture and Video Recall

High speed USB 2.0 allows fast image transfer to a computer for future edit and recall.

