



Vivotek **IP Surveillance System**

Wireless Dual Codec Network Camera IP6114/6124

Vivotek Wireless Dual-Codec Network Camera with 2-way audio, IP6114/6124 is a powerful surveillance system connecting to a wired Ethernet connection to provide remote high-quality video and audio. The 2-way audio and extensible day/night features makes it more suitable for many surveillance applications. Users of Vivotek IP6114/6124 can easily access it via an Internet Explorer browser, receiving synchronized video&audio from anywhere anytime.

Features

- MJPEG/MPEG4 Compression Selectable
- Two-way Audio
- 802.11g Wireless Lan
- Optimal Synchronization of Audio & Video
- UPnP & DDNS Support
- Intelligent Motion Detection
- Pre/Post Alarm Snapshots
- Extended I/O for Sensor & Alarm
- Free-Bundled 16-Channel Recording Software
- Day / Night Lens Support (Optional)
- Auto Iris Lens Support (Optional)



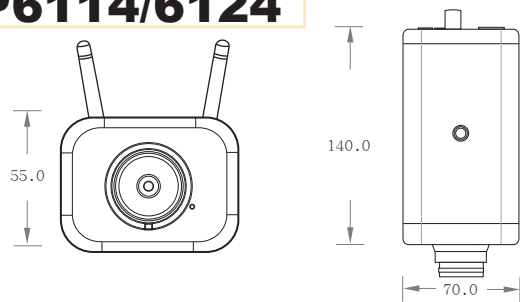
Auto Iris Lens



IR Lens

Technical Specifications

IP6114/6124



Model

- IP6114 NTSC CCD
- IP6124 PAL CCD

System

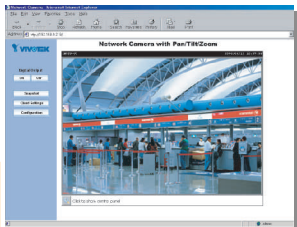
- CPU: Trimedia PNX1300
- RAM: 16MB SDRAM
- ROM: 4MB FLASH ROM

Networking

- Protocol
UPnP, TCP/IP, HTTP, SMTP, FTP, Telnet, NTP, DNS, DDNS and DHCP
- Ethernet
10 baseT or 100 baseT Fast Ethernet auto negotiation
- Wireless
802.11g Wireless LAN

Video

- Algorithm supported
MPEG4 simple profile/MJPEG selectable
JPEG for still image
- Features
Adjustable image size and quality
Time stamp and text overlay
Three configurable motion detection windows
Flip & mirror
Video output connector
- Resolution
NTSC
Up to 30 frames at 176x120
Up to 30 frames at 352x240
Up to 15 frames at 704x480
PAL
Up to 25 frames at 176x144
Up to 25 frames at 352x288
Up to 12 frames at 704x576



Camera Specifications

- 1/3 inch color CCD image sensor
- 250K pixel (IP6114) /290K pixel (IP6124)
- 0.5 Lux / F2.0 (Typical); 0 Lux (10 meters IR Lens on)
- AGC, AWB, AES
- Electronic shutter:1/60(1/50)~1/100,000sec.

Lens

- CS mount, f=6.0mm, F2.0

Audio

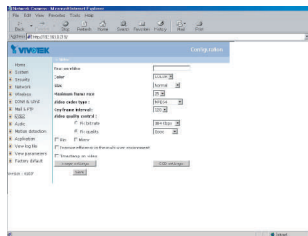
- 8k /24k /32kbps
- Full duplex audio communication
- Acoustic echo cancellation

Microphone

- Omni-directional
- Frequency
20 ~ 20000Hz
- S/N ratio
More than 58dB

General I/O

- 1 sensor input max. 12VDC 50mA
- 1 relay output max. 24VDC 1A / 125VAC 0.5A
- 1 microphone input
- 1 audio output
- 1 video loop through output



LED Indicator

- Dual color system status indicator

Dimension

- Length: 140mm
- Width: 70mm
- Height: 55mm

Weight

- NET. 480g

Power

- Consumption:
IP6114/6124: Max 9.4W
- Input: 100-240VAC, 50/60Hz, 0.4A
- Output: 12VDC, 1.5A

Operating Environment

- Temperature: 0~40°C(32~102°F)
- Humidity: 85% RH

EMI & Safety

- CE, FCC

Viewing System Requirement

- Operation system: Microsoft Windows 98 SE, ME, 2000, XP
- Browser: Internet Explorer 5.X or above

Free Bundled ST3402 Software

- Remote configuration and control sixteen devices
- Event-triggered, scheduled, manual recording
- Instant search with preview windows
- Fast/slow forward replay and pause
- Hard disk quota warning
- Scheduled record
- AVI format export

All specifications are subject to change without notice.
All other trademarks are owned by their respective companies.



VIVOTEK INC.

6F, No. 192, Lien-Cheng Rd.,
Chung-Ho, Taipei County, Taiwan
Tel: +886 2 82455282
E-mail: sales@vivotek.com
Web: www.vivotek.com

